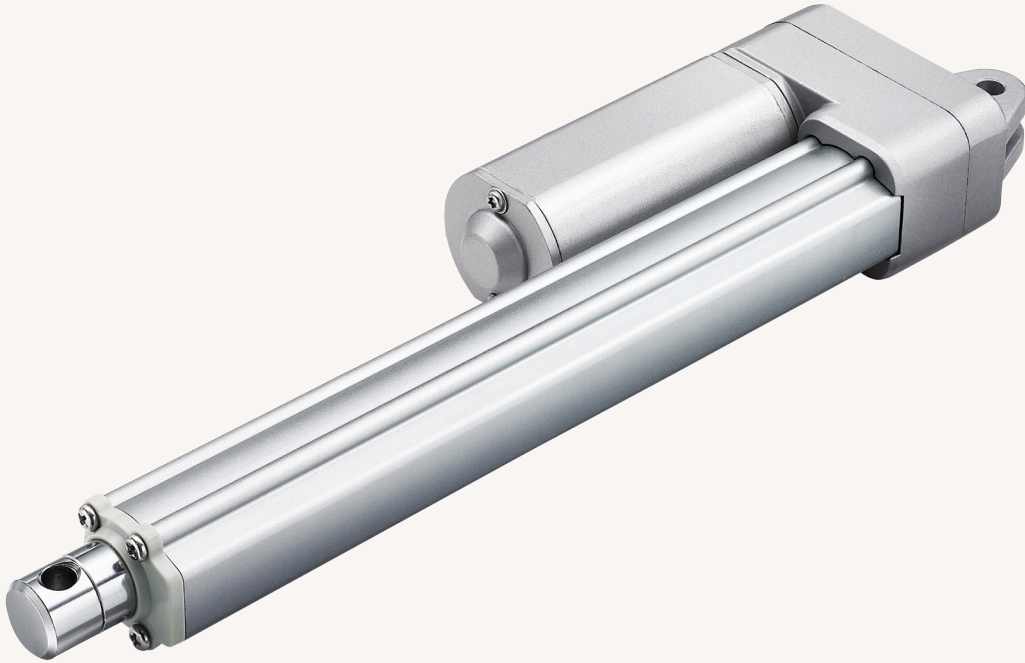


TA16

series



Product Segments

- **Care Motion**
- **Comfort Motion**

TiMOTION's TA16 series linear actuator is similar to the TA2 linear actuator, but is specifically designed for low-noise medical applications where a compact linear actuator is needed. It is available with optional IP66 protection and Hall sensors for position feedback. Certificates for the TA16 include EN60601-1 and IEC60601-1.

General Features

Voltage of motor	12V DC or 24V DC
Maximum load	3,500N in push/pull
Maximum speed at full load	13.5mm/s (with 1,500N in a push or pull condition)
Standard stroke	20~1000mm
Minimum installation dimension	Stroke+112mm
Color	Silver
Protection class	Up to IP66
Option	Hall sensor(s)
Certificate	EN60601-1 and IEC60601-1 compliant
Operational temperature range	+5°C~+45°C
With very low noise, small size for easy installation	

Load and Speed

CODE	Load (N)		Self Locking Force (N)	Typical Current (A)		Typical Speed (mm/s)	
	Push	Pull		No Load 32V DC	With Load 24V DC	No Load 32V DC	With Load 24V DC
Motor Speed (3800RPM, Duty Cycle 10%)							
A	2500	2500	2500	0.9	2.8	5.2	3.0
B	2000	2000	2000	0.9	2.8	8.3	4.7
C	1500	1500	1000	0.9	2.8	11.9	7.0
D	1000	1000	1000	1.0	2.8	17.7	10.3
Motor Speed (5600RPM, Duty Cycle 10%)							
G	3500	3500	2000	1.5	4.7	12.0	6.5
J	2000	2000	1000	1.5	3.2	17.0	10.5
K	1500	1500	700	1.5	3.5	23.5	13.5

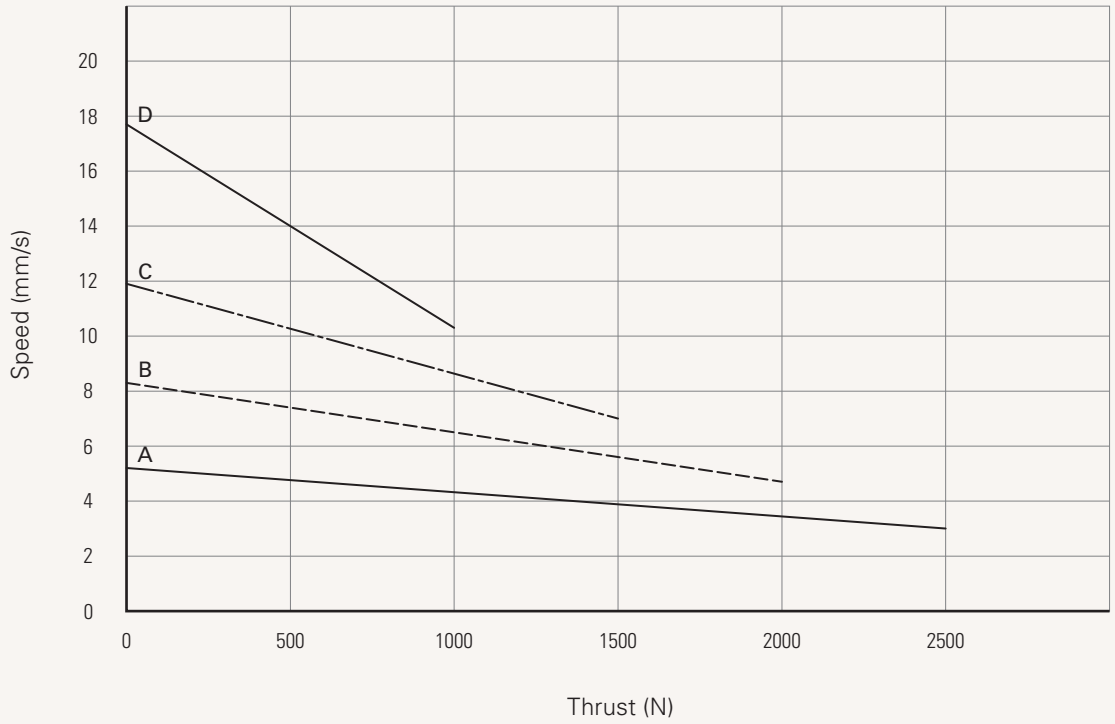
Note

- 1 With a 12V motor, the current is approximately twice the current measured in 24V. With a 36V motor, the current is approximately two-thirds the current measured in 24V; speed will be similar for both voltages.
- 2 Above self lock performance needs working with TiMOTION control system.

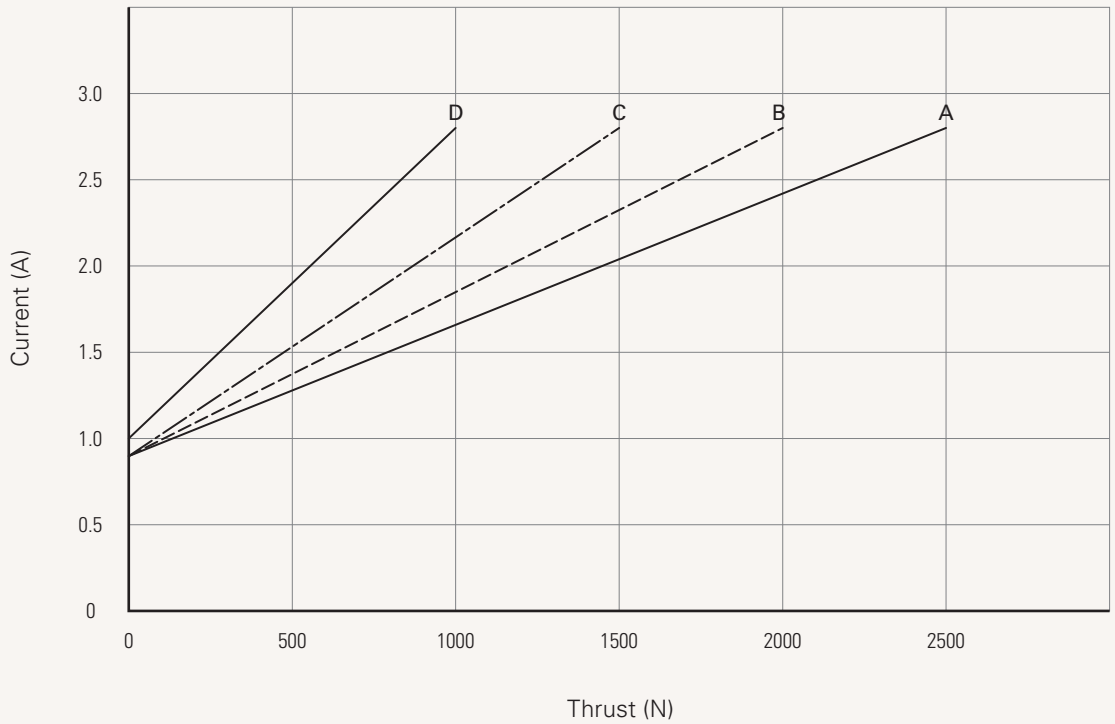
Performance Data (24V DC Motor)

Motor Speed (3800RPM, Duty Cycle 10%)

Speed vs. Thrust



Current vs. Thrust



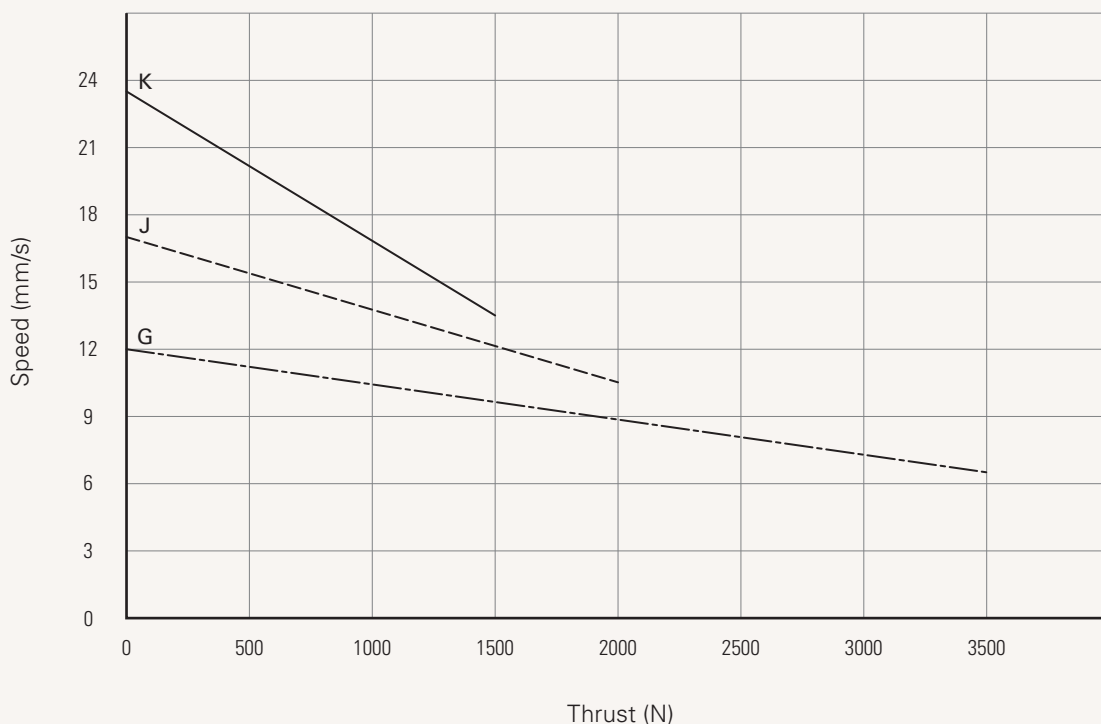
Note

1 The performance data in the curve charts shows theoretical value.

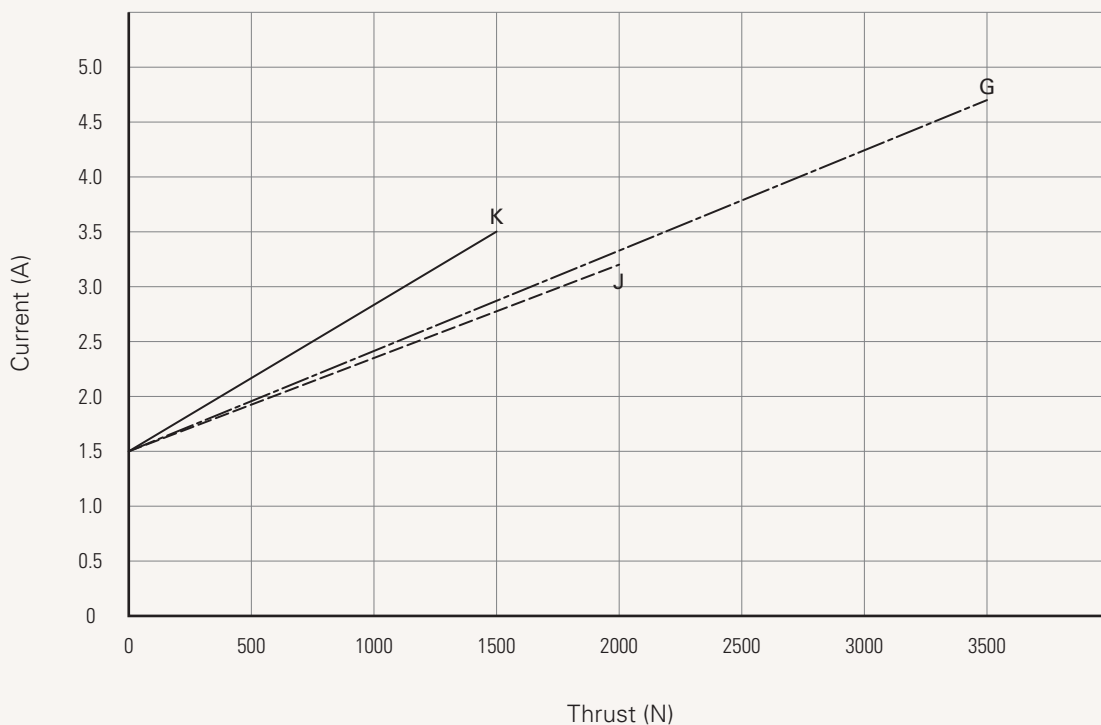
Performance Data (24V DC Motor)

Motor Speed (5600RPM, Duty Cycle 10%)

Speed vs. Thrust



Current vs. Thrust

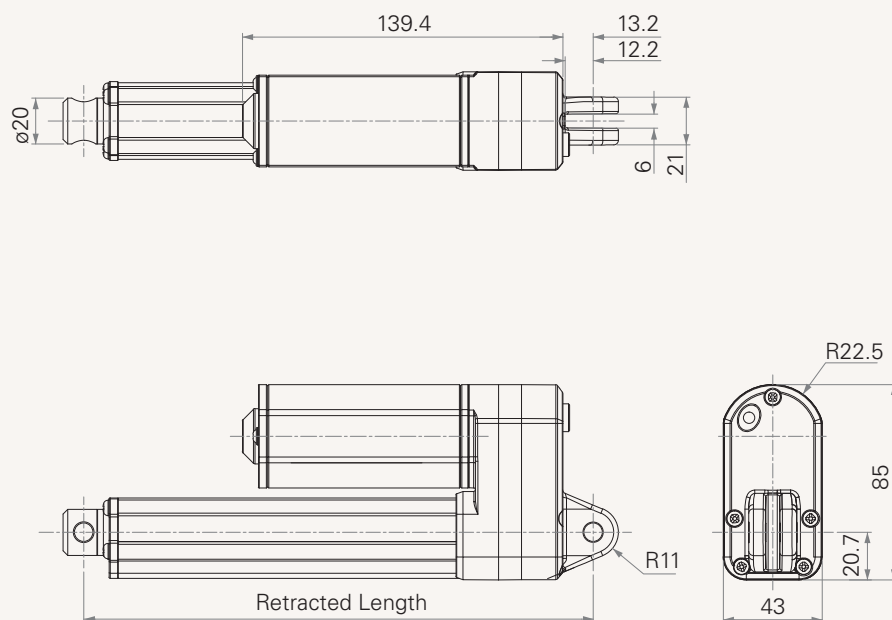


Note

1 The performance data in the curve charts shows theoretical value.

Drawing

Standard Dimensions
(mm)



Wire Definitions

CODE*	Pin					
	1	2	3	4	5	6
	● (green)	● (red)	○ (white)	● (black)	● (yellow)	● (blue)
1	extend (VDC+)	N/A	N/A	N/A	retract (VDC+)	N/A
2	extend (VDC+)	N/A	middle switch pin B	middle switch pin A	retract (VDC+)	N/A
3	extend (VDC+)	common	upper limit switch	N/A	retract (VDC+)	lower limit switch
4	extend (VDC+)	common	upper limit switch	medium limit switch	retract (VDC+)	lower limit switch

Note

* See ordering key - functions for limit switches

Retracted length (mm)

1. Calculate $A+B+C = Y$
2. Retracted length needs to \geq Stroke+Y

A. Attachment	Rear Attachment Code
Front Attachment Code	1, 2, 3
1, 2, 3	+112
4, 5, 6	+122

B. Load vs Stroke	Load (N)	
Stroke (mm)	< 3500	= 3500
20~150	-	+5
151~200	+8	+13
201~250	+8	+13
251~300	+13	+18
301~350	+13	+18
351~400	+18	+23

For stroke over 400mm, +5mm for each incremental 50mm stroke.

C. Output Signals

Code	
0, 4, 5	-
1	+36

TA16

Version: 20160506-G

<input type="checkbox"/>	Voltage	1 = 12V	2 = 24V		
<input type="checkbox"/>	Load and Speed	See page 2.			
<input type="checkbox"/>	Stroke (mm)				
<input type="checkbox"/>					
<input type="checkbox"/>					
<input type="checkbox"/>	Retracted Length (mm)	See page 6.			
<input type="checkbox"/>					
<input type="checkbox"/>					
<input type="checkbox"/>	Rear Attachment (mm)	1 = Aluminum casting, U clevis, width 6.0, depth 12.2, hole 6.4, one piece casting with gear box 2 = Aluminum casting, U clevis, width 6.0, depth 12.2, hole 8.0, one piece casting with gear box 3 = Aluminum casting, U clevis, width 6.0, depth 12.2, hole 10.0, one piece casting with gear box			
<input type="checkbox"/>	Front Attachment (mm)	1 = Aluminum casting, no slot, hole 6.4 2 = Aluminum casting, no slot, hole 8.0 3 = Aluminum casting, no slot, hole 10.0 4 = Aluminum casting, U clevis, width 6.0, depth 13.0, hole 6.4 5 = Aluminum casting, U clevis, width 6.0, depth 13.0, hole 8.0 6 = Aluminum casting, U clevis, width 6.0, depth 13.0, hole 10.0			
<input type="checkbox"/>	Direction of Rear Attachment (Counterclockwise)	1 = 90°	2 = 0°		
<input type="checkbox"/>	IP Rating	1 = Without	2 = IP54	3 = IP66	
<input type="checkbox"/>	Functions for Limit Switches	1 = Two switches at full retracted/extended positions to cut current 2 = Two switches at full retracted/extended positions to cut current + 3rd LS to send signal 3 = Two switches at full retracted/extended positions to send signal 4 = Two switches at full retracted/extended positions to send signal + 3rd LS to send signal			
<input type="checkbox"/>	Special Functions for Spindle Sub-Assembly	0 = Without		2 = Standard push only	
<input type="checkbox"/>	Output Signals	0 = Without	1 = POT	4 = One Hall sensor	5 = Two Hall sensors
<input type="checkbox"/>	Connector	1 = DIN 6pin, 90° plug 2 = Tinned leads 4 = Big 01pin, plug C = Y cable (for direct cut system, water proof, anti pull)		E = MOLEX 8pin, plug F = DIN 6pin, 180° plug G = Audio plug	
<input type="checkbox"/>	Cable Length	0 = Straight, 100mm	3 = Straight, 1000mm	6 = Straight, 2000mm	B-H = For direct cut system, please contact TiMOTION
		1 = Straight, 500mm	4 = Straight, 1250mm	7 = Coiled, 200mm	
		2 = Straight, 750mm	5 = Straight, 1500mm	8 = Coiled, 400mm	

Terms of Use

The user is responsible for determining the suitability of TiMOTION products for a specific application. TiMOTION products are subject to change without prior notice.